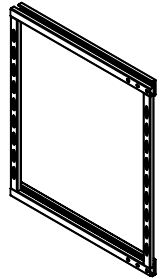


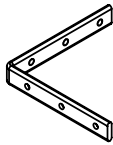
Fixing Instruction for Drawing Basket PTJ009F/PTJ009J

1、Accessories:

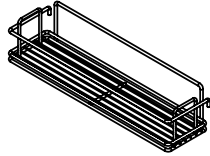
A 1 PCS



B 2 PCS



C 2 PCS



D
ST.4*16 14PCS



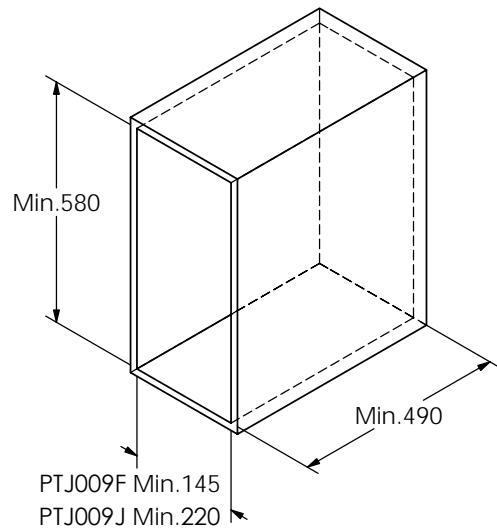
E
M5*6 6PCS



2、Product size and size of suitable cabinet (inside cabinet):

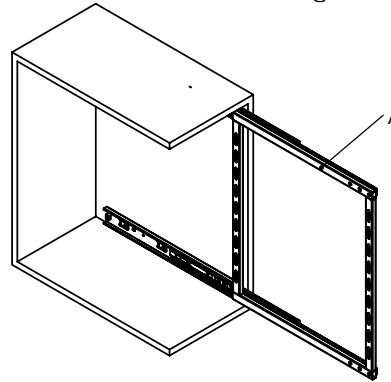
PTJ009F Product size: D485*W140XH570

PTJ009J Product size: D485*W216XH570



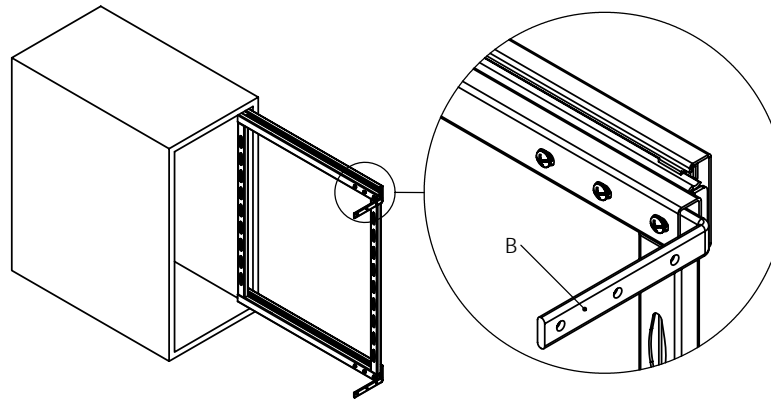
3、Fixing steps:

1)、Fix A on the cabinet with 8 pcs D.
Please refer to drawing 1



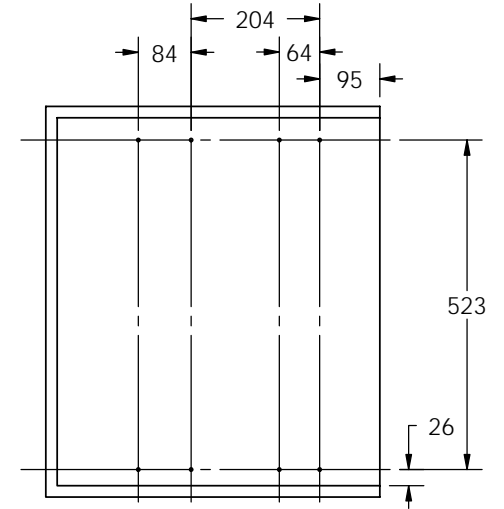
Drawing 1

2)、Fix B on A with 6 pcs E . Please refer to drawing 2

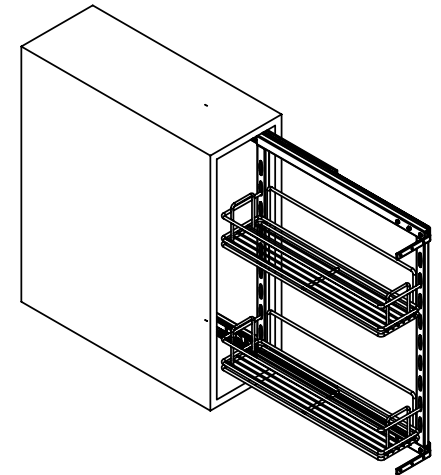


Drawing 2

3)、Hang C on A. Please refer to drawing 3



4)、If it's necessary to fix the door ,Please fix the door on B with 6 pcs D.



Drawing 3